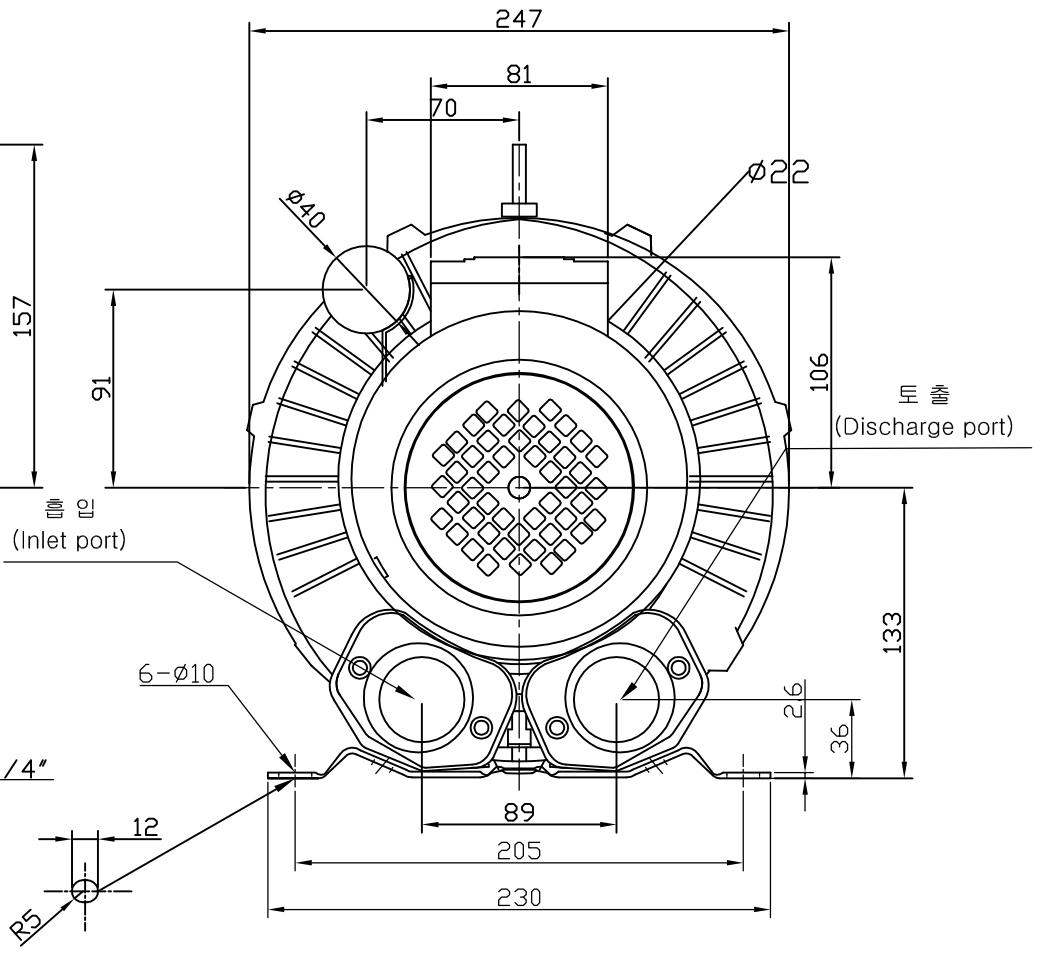
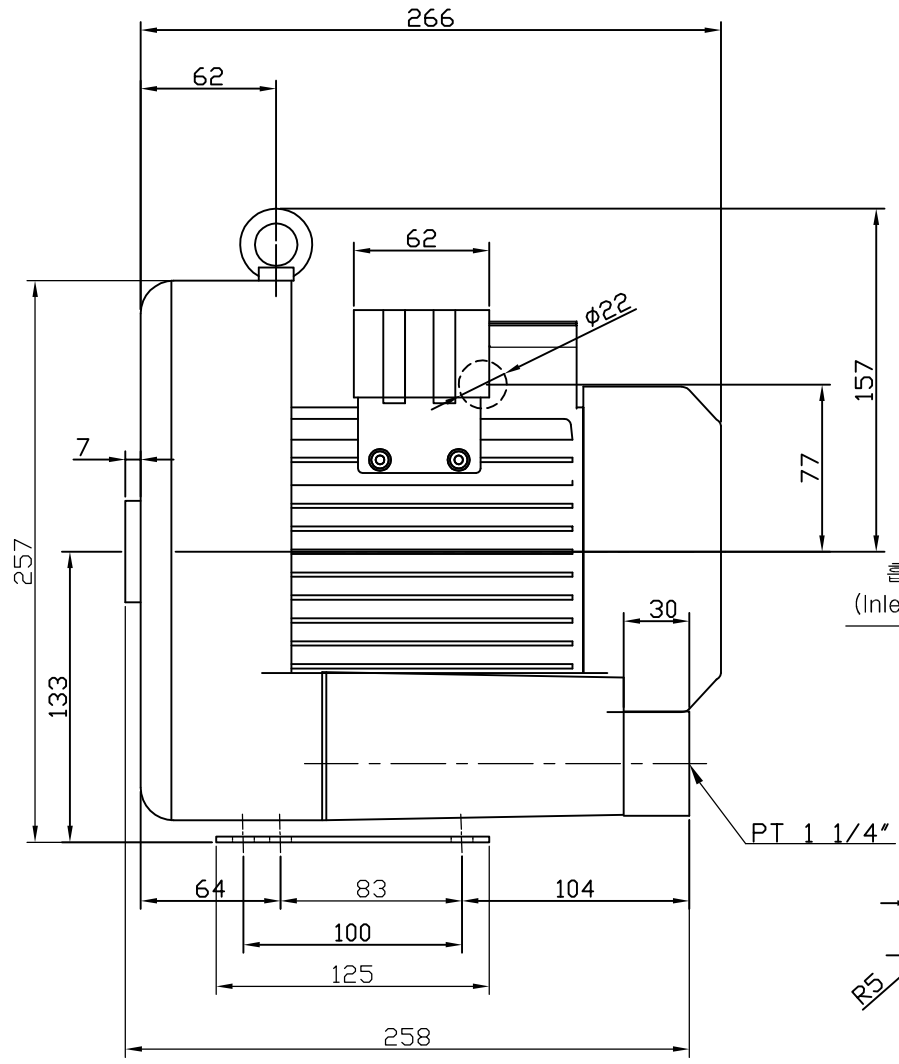



10 9 8 7 6 5 4 3 2 1

H
G
F
E
D
C
B
A



1 Ø 0.4kw2p

CUSTOMER					
MANUFACTURE					
 (주)대하이엔지 DAEHA ENG Co., Ltd.					
TITLE					
RING BLOWER(Reg. Blower) DHB-101					
CONTRACT DWG NO.		01010003			
SCALE	PROJECT NO.	DRAWING NUMBER	MF-NO	TYPE	REV

10 9 8 7 6 5 4 3 2 1