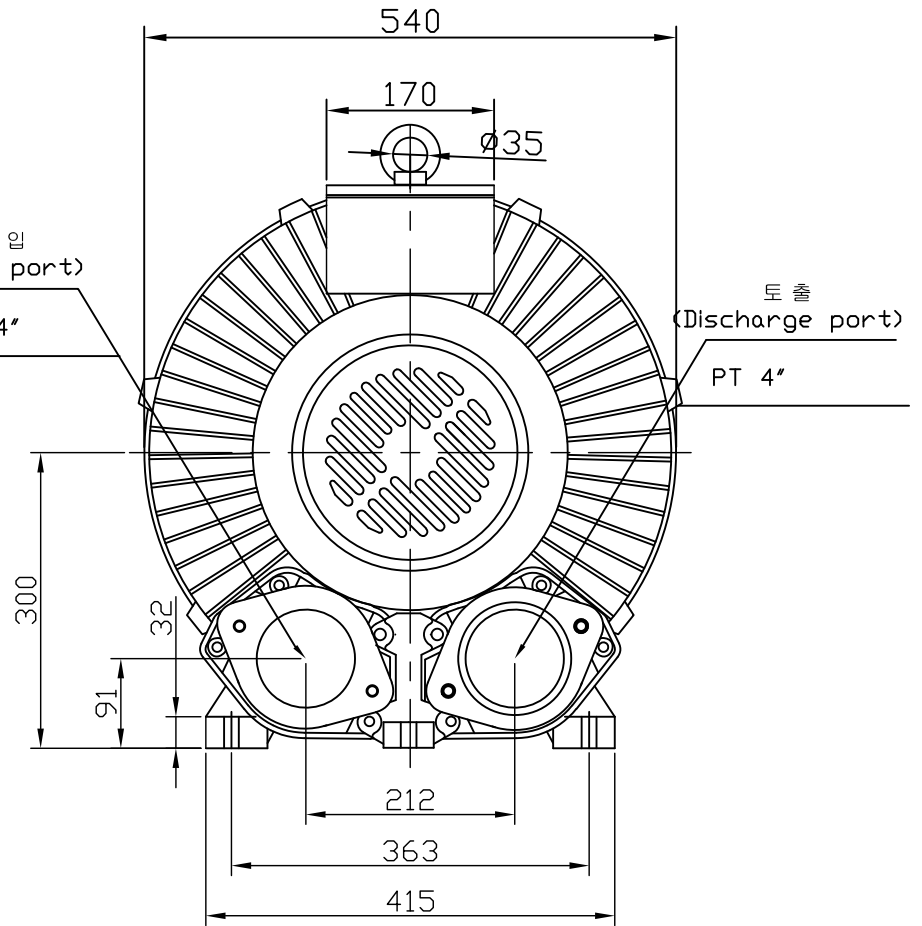



흡입구
(Inlet port)
PT 4"



3 ϕ 22.7kw2p

CUSTOMER				
MANUFACTURE				
 (주)대하이엔지 DAEHA ENG Co., Ltd.				
TITLE				
RING BLOWER(Reg.Blower) DHB-1300PH				
CONTRACT DWG NO. 1300PH003				
SCALE	PROJECT NO.	DRAWING NUMBER	MF-NO	TYPE
				REV