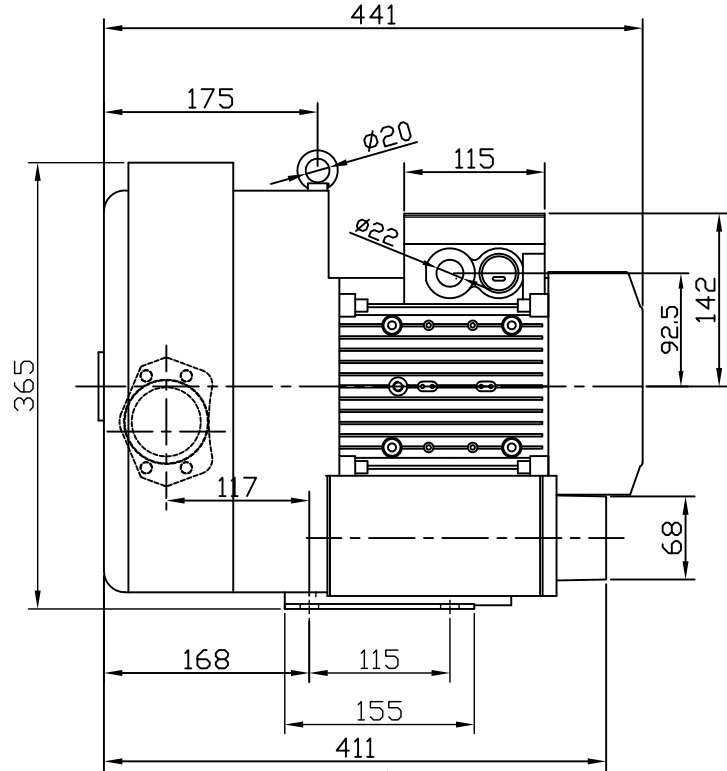
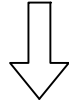
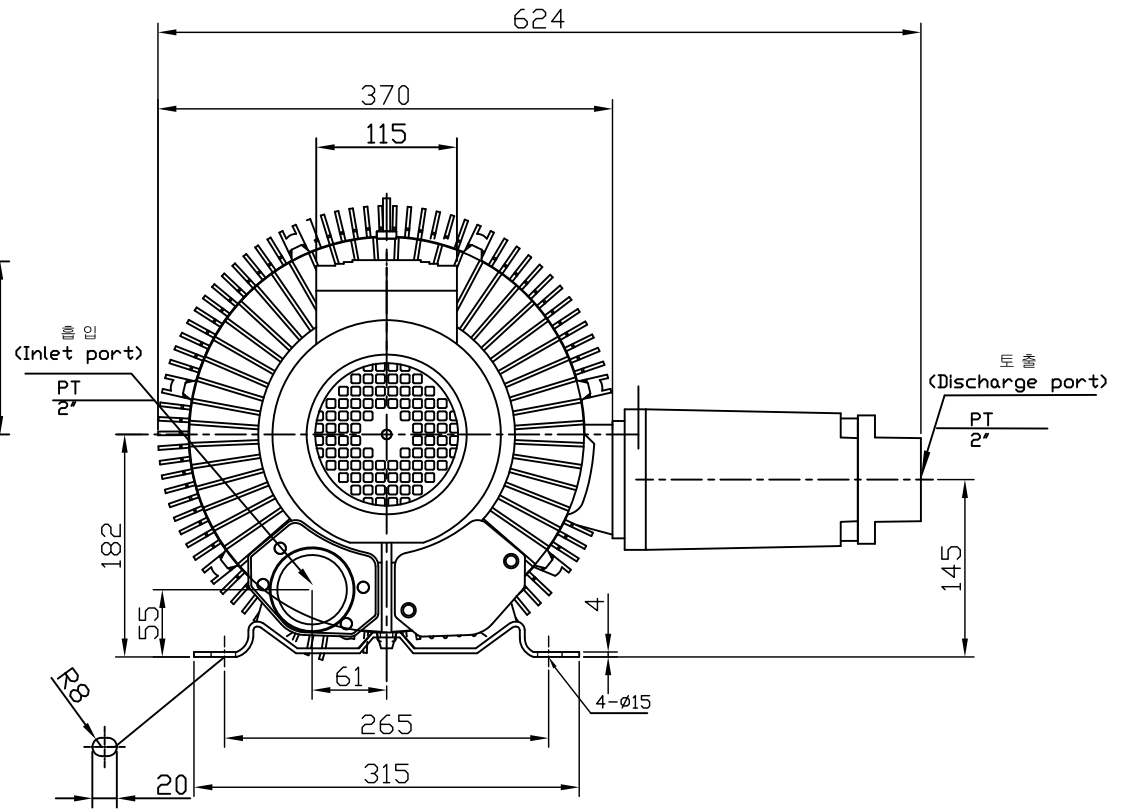
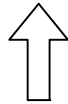


VIEW:B



VIEW:A



3φ3.0kw2p

CUSTOMER					
MANUFACTURE		(주)대하이엔지 DAEHA ENG Co., Ltd.			
TITLE RING BLOWER(Reg.Blower) DHB-602PH					
CONTRACT DWG NO.		0602PH003			
SCALE	PROJECT NO.	DRAWING NUMBER	MF-NO	TYPE	REV.