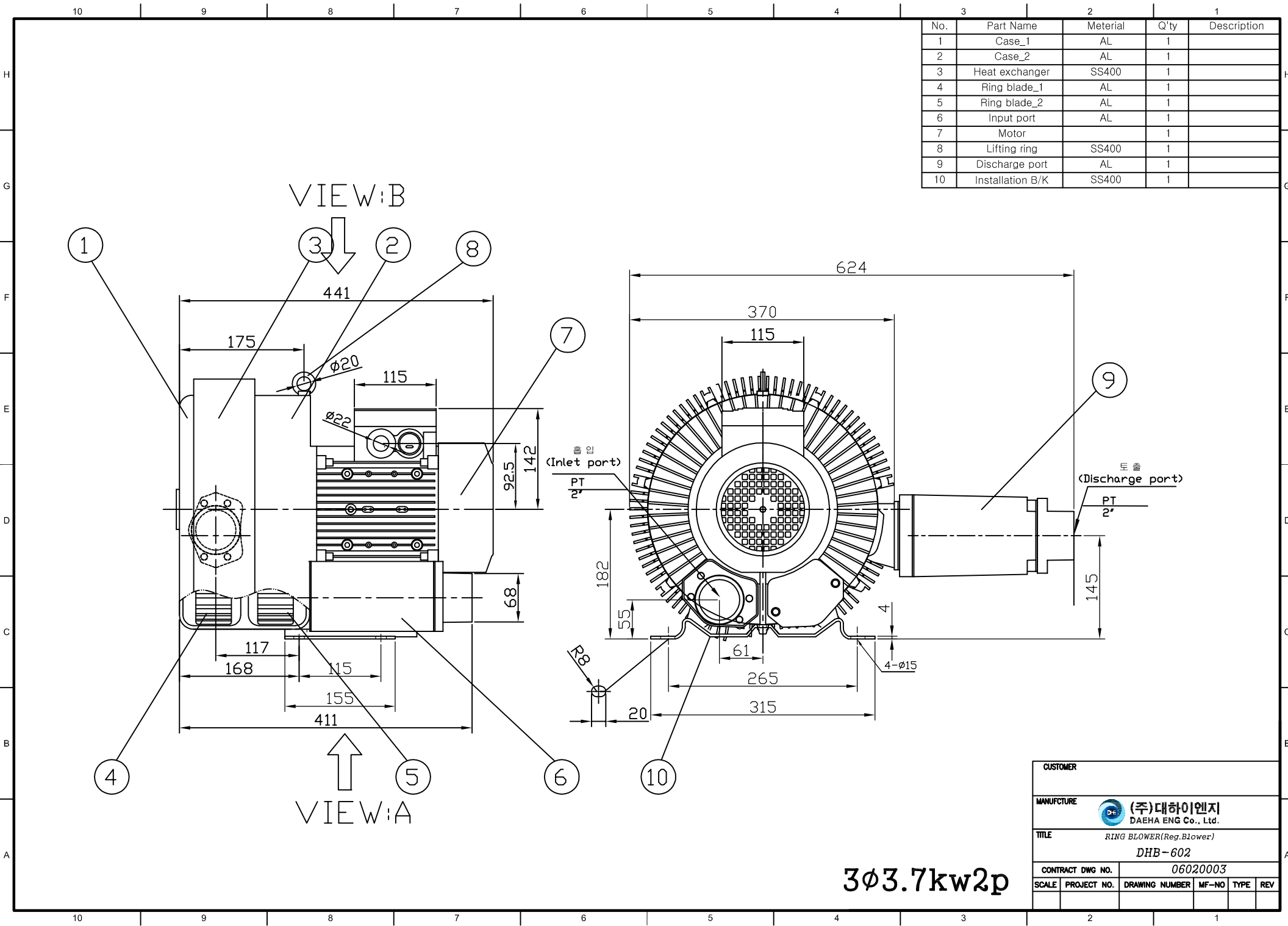



No.	Part Name	Material	Q'ty	Description
1	Case_1	AL	1	
2	Case_2	AL	1	
3	Heat exchanger	SS400	1	
4	Ring blade_1	AL	1	
5	Ring blade_2	AL	1	
6	Input port	AL	1	
7	Motor		1	
8	Lifting ring	SS400	1	
9	Discharge port	AL	1	
10	Installation B/K	SS400	1	



3φ3.7kw2p

CUSTOMER					
MANUFACTURE					
 (주)대하이엔지 DAEHA ENG Co., Ltd.					
TITLE					
RING BLOWER(Reg. Blower)					
DHB-602					
CONTRACT DWG. NO.		06020003			
SCALE	PROJECT NO.	DRAWING NUMBER	MF-NO	TYPE	REV